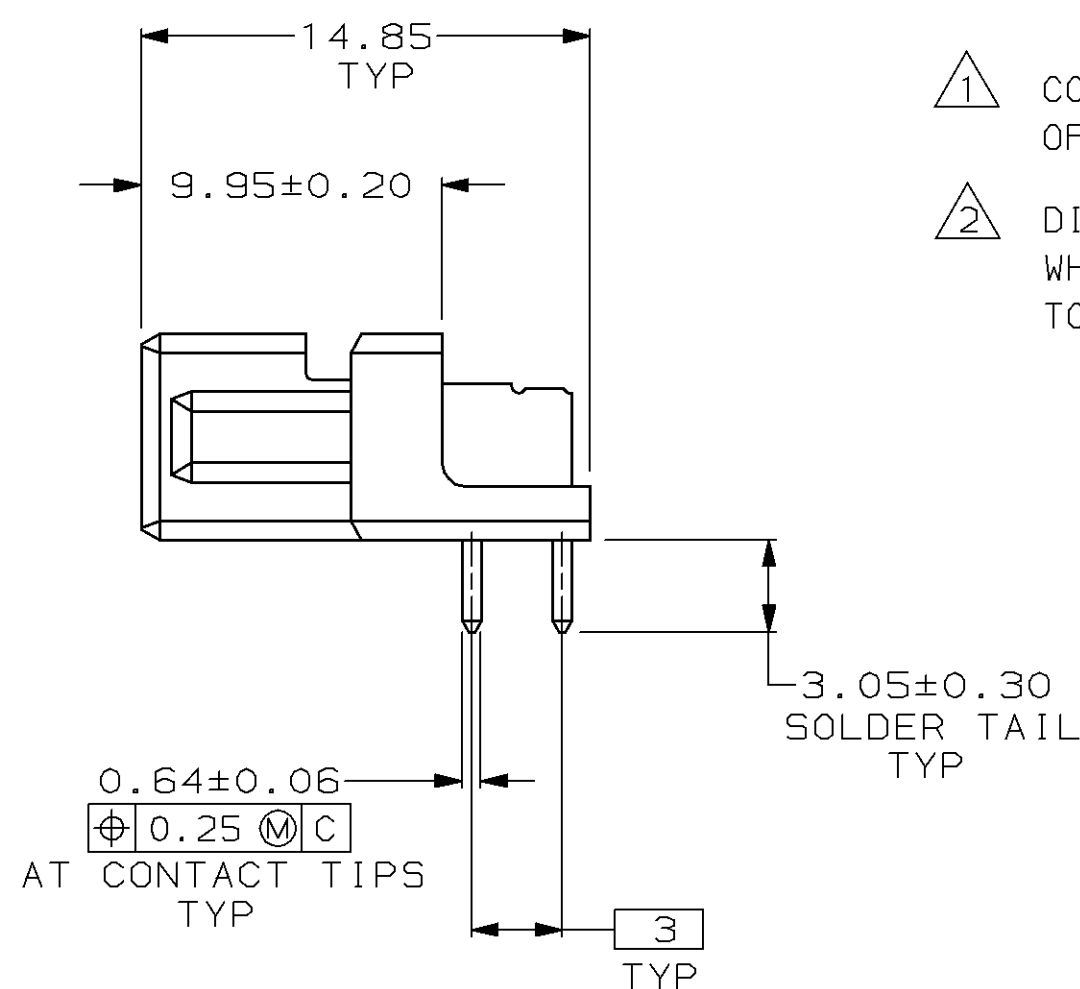
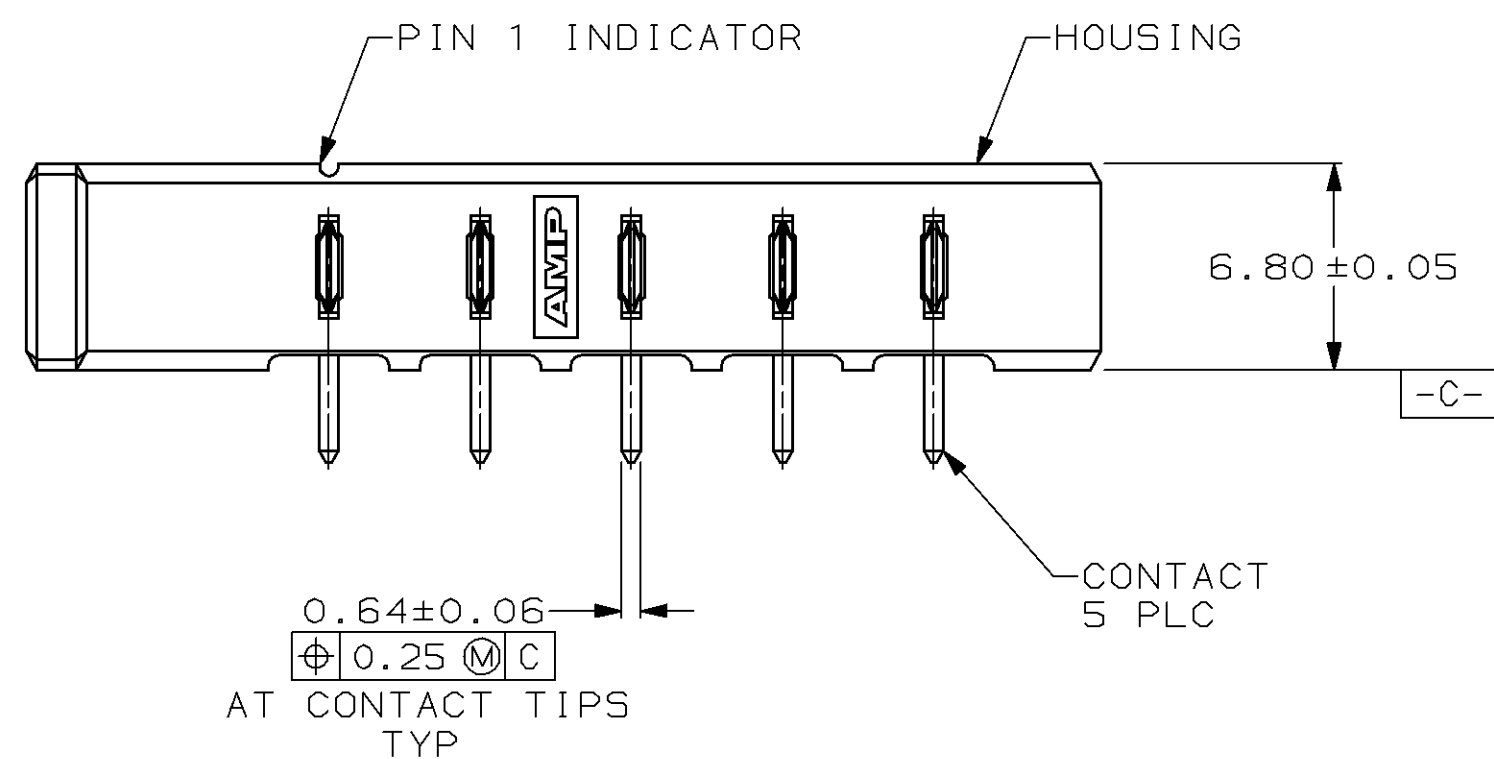
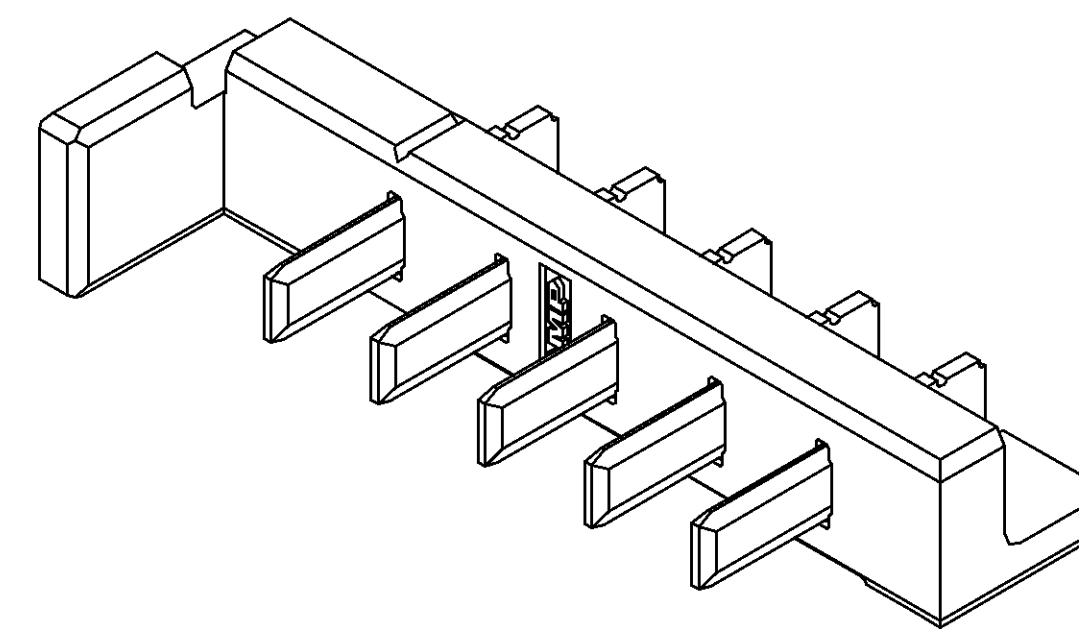
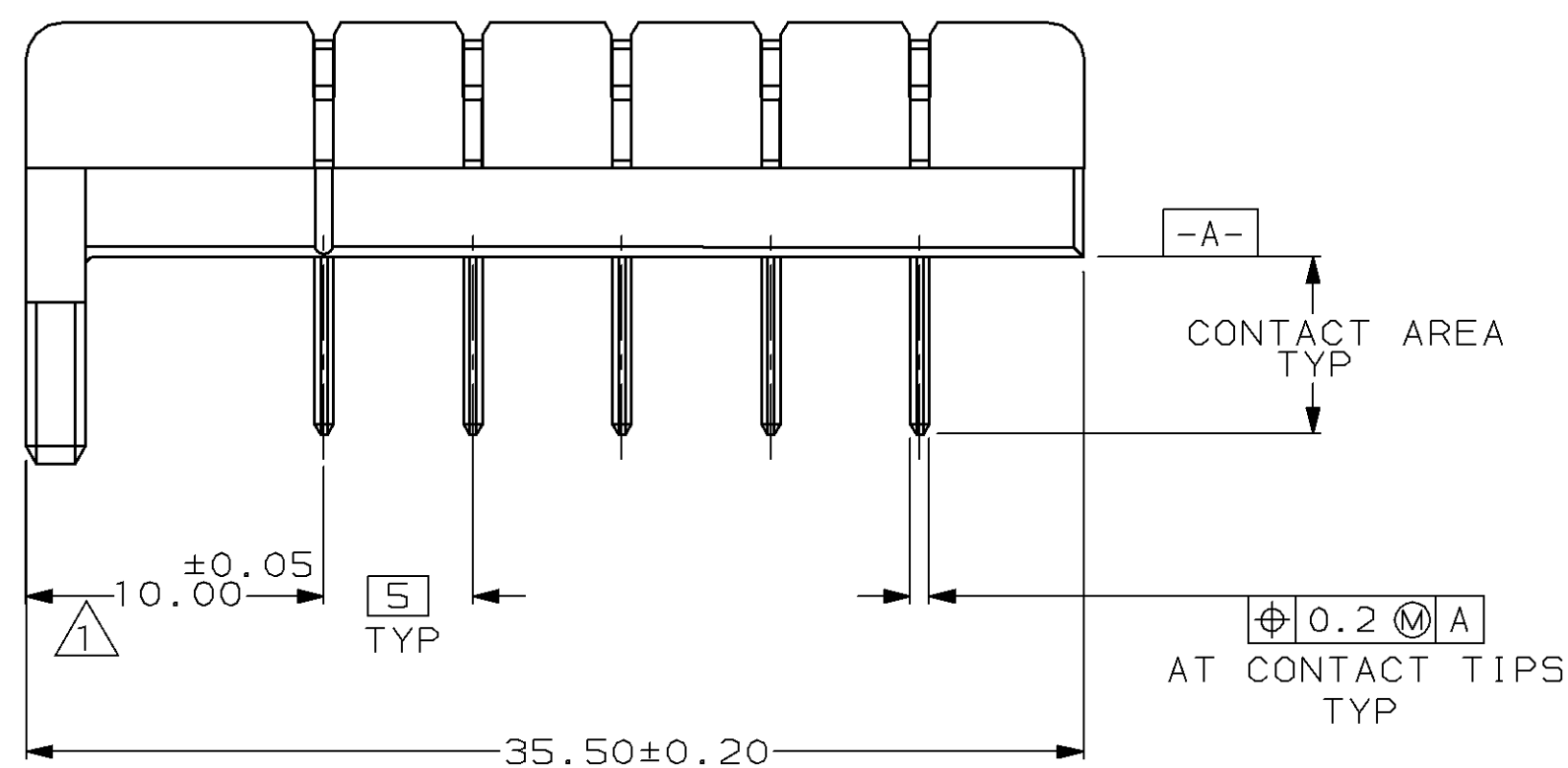
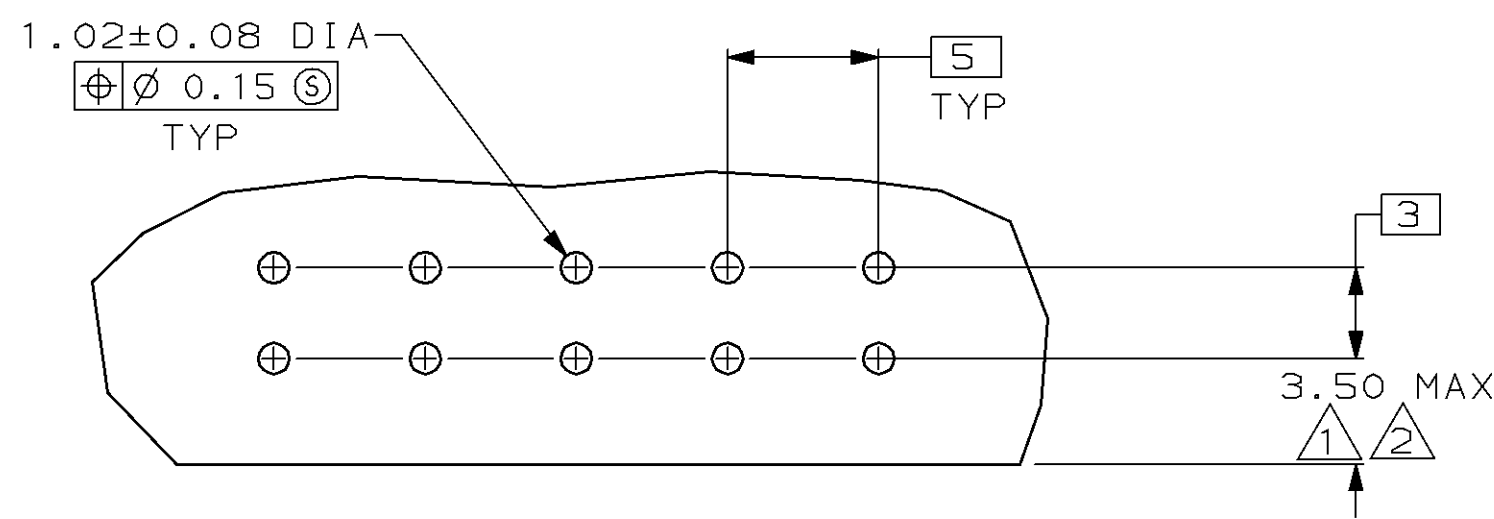


LOC	DIST	P	F	ZONE	LTR	REVISIONS		
						DESCRIPTION	DATE	APPD
AD	39				0	RELEASED -1 PER NPR 5167	08/24/94	RSK
					A	REV PER EC 0020-1339-94	12/08/94	RK
					B	REV PER EC 0020-0657-96	12/06/96	RK



- 1 COORDINATE DIMENSION APPLIES FROM CENTER OF ACTUAL FEATURE.
- 2 DIMENSION CAN BE EXCEEDED FOR APPLICATIONS WHERE FINAL MATED POSITION OF PACK IS ABOVE TOP SURFACE OF PCB.



HOLE LAYOUT

THIS DRAWING IS A CONTROLLED DOCUMENT FOR AMP INCORPORATED. IT IS SUBJECT TO CHANGE AND THE CONTROLLING ENGINEERING ORGANIZATION SHOULD BE CONTACTED FOR THE LATEST REVISION.

DO NOT SCALE PRINT. UNLESS SPECIFIED DIMENSIONS IN mm TOLERANCES ON:		DR 08-24-94 D.HARDY		787259-1 PART NO	
2 PLC DEC ± 0.10		CHK 08-25-94 R.STONE		AMP Incorporated Harrisburg, PA 17105-3608	
3 PLC DEC \pm		APPD 08-30-94 R.S.KLINE			
ANGLES \pm		APPD 08-30-94 R.S.KLINE		NAME HEADER ASSEMBLY, RIGHT ANGLE, 5mm CENTERLINE, 5 POSN, 10.8V, BATTERY INTERCONNECT	
MATERIAL HOUSING: LCP COLOR: BLACK CONTACTS: BRASS		PRODUCT SPEC 108-1501		SIZE C 00779	
FINISH CONTACTS: 2.54 μ m MIN TIN-LEAD ON SOLDER TAIL OVER 1.90 μ m MIN NICKEL ALL OVER		APPLICATION SPEC -		DRAWING NO G=787259	
WEIGHT -		SCALE 4:1		SHEET 1 OF 1	